

SCREW PRESSING MACHINE MODEL 1500

Goods quality of Saparated



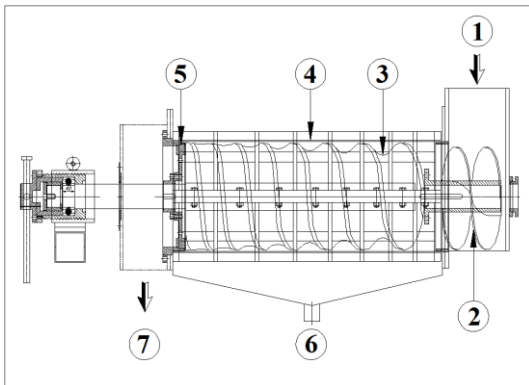
SPECIFICATIONS

Length..... 2105 mm.
width..... 1120 mm.
Height..... 1960 mm.
Net Weight..... 1500 kg.
Motor..... 50 hp.

HS code : 84351010

FEATURES

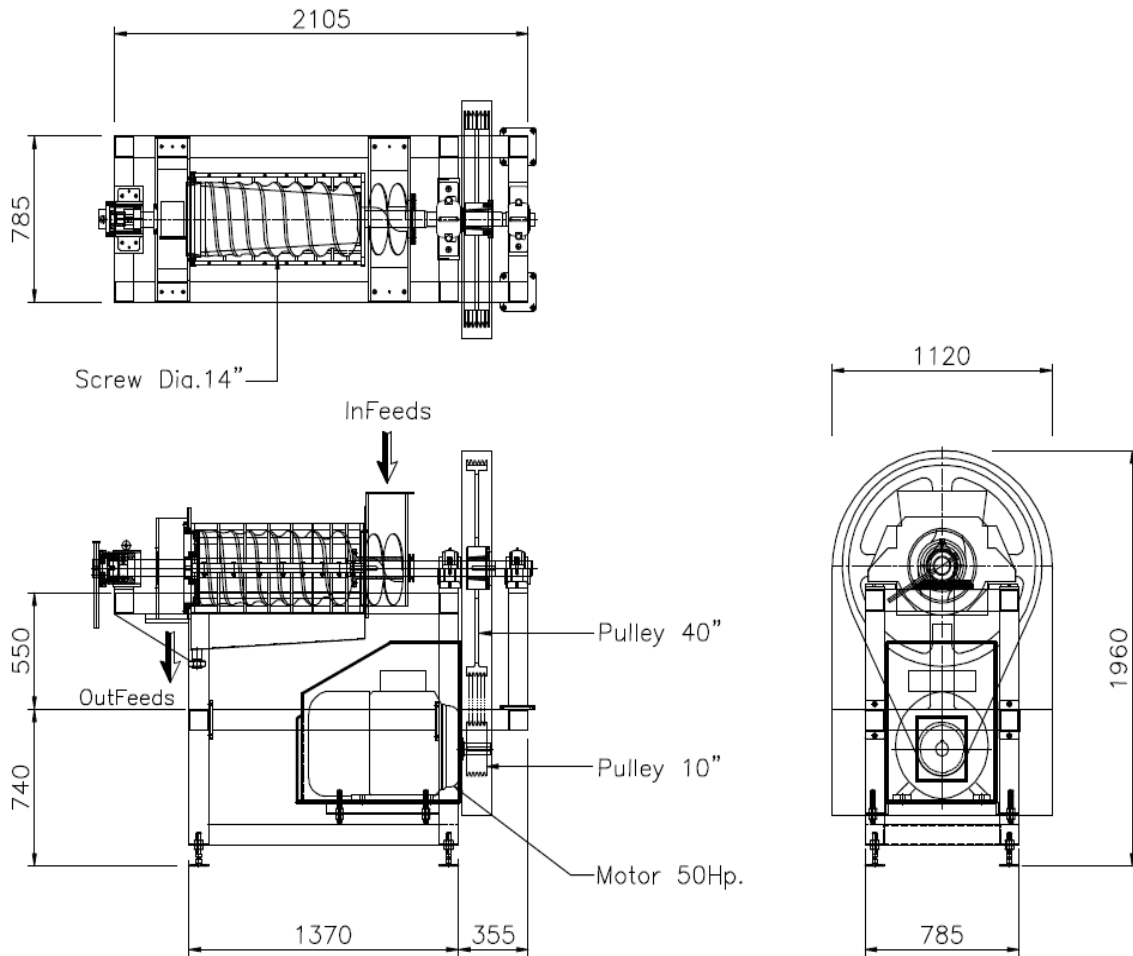
- The whole machine is made of 304 stainless steel and meet the demands of food hygiene security.
- The machine separate the milk from coconut meat automatically and continuously.
- High juicing rate,good quality and high capacity.
- Stainless steel constuction ensures maximum durability and is designed for easy cleanup and maintenance.
- Save labor and production time



OPERATING PRINCIPLE

Product (1) is guided to the screw feed. When the product reaches the screw Blade(2). It rotary product to inside screw press(3).The machine separate product between screw press with screen plate(4). And pressing with endplate(5).After pressing,the coconut milk outward for storage(6). And the flakes outward to next production line (7).

SCREW PRESSING MACHINE MODEL 1500
DIMENSIONAL DEAWING



P&S STEEL WORK SERVICE CO.,LTD.
FOOD PROCESSING MACHINERY
www.thaifoodmachine.com